

sound play WIRELESS HEADPHONES

Bluetooth 5.3



Foldable Design



HD Voice Ready Built-in Microphone

User Guide

INTRODUCTION

Listen to music without interruptions with your new SoundPlay Wireless Headphones. With up to 20 hours of playback time, these foldable headphones let you enjoy your favorite tracks all day long. Featuring Bluetooth and AUX compatibility, as well as fast auto-pairing to your mobile devices, they provide HD sound for an immersive audio experience. Lightweight and designed for all-day wear, the SoundPlay Wireless Headphones are the perfect everyday audio companions.

FEATURES

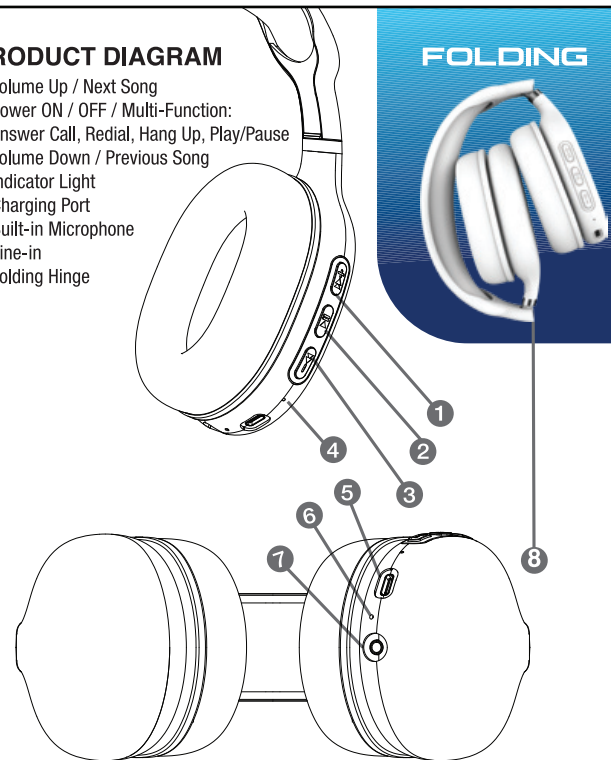
- Foldable, wireless design for the ultimate convenience.
- Up to 20 hours of playback time.
- Multifunctional and easy-to-use in-unit controls.
- Soft, comfortable cushioning for your ears and head.
- Bluetooth and AUX compatibility for two ways to listen.

INCLUDED IN THE PACKAGE

- SoundPlay Wireless Headphones
- USB-C Charging Cable
- 3.5mm AUX Cable
- User Guide

PRODUCT DIAGRAM

1. Volume Up / Next Song
2. Power ON / OFF / Multi-Function: Answer Call, Redial, Hang Up, Play/Pause
3. Volume Down / Previous Song
4. Indicator Light
5. Charging Port
6. Built-in Microphone
7. Line-in
8. Folding Hinge



FOLDING



CHARGING THE HEADPHONES

The battery must be fully charged prior to use. The charging time is approximately 3 hours. Your headphones cannot be used while they are charging.

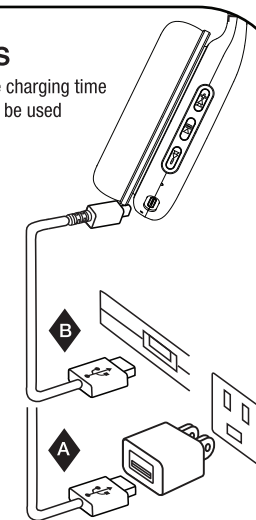
- Red light ON - Charging
- Blue light ON - Fully Charged

Charging via an AC Wall Adapter

Plug the USB-C end of the provided charging cable into the headphones, and the other end into the USB port of an AC wall adapter.

Charging via a USB Power Source

Plug one end of the provided charging cable into the headphones, and the other end into a USB power source.



PAIRING TO A BLUETOOTH DEVICE:

1. Keep the distance between your device and the headphones within 3ft.
2. Press and hold the power button for two seconds to turn the headphones on. You'll hear a "Power ON" prompt.
3. The headphones will automatically go into pairing mode. You'll hear a "Pairing" prompt as the blue and red lights flash alternately.
4. Enable your device's Bluetooth function from its Settings menu. Search and select "Tzumi SoundPlay" from the Bluetooth devices list to pair the headphones to your device. Once paired, you will hear "Connected."
5. After a successful connection, you will be able to use your headphones.

CONTROLLING THE HEADPHONES Making and receiving calls

You can use your headphones in various ways for handling calls.

- Answer a call _____ Press **[M]** during an incoming call.
- End a call _____ Press **[M]** during a call.
- Redial last number _____ Press **[M]** twice.
- Reject a call _____ Press and hold **[M]** during an incoming call.

MUSIC CONTROLS

- Play/Pause Music _____ Press **[M]**.
- Next Song _____ Press and hold **[M]**.
- Previous Song _____ Press and hold **[M]**.
- Power ON/OFF _____ Press and hold **[M]**.

CHANGING THE VOLUME

- Volume Up _____ Press **[V+]**.
- Volume Down _____ Press **[V-]**.

LINE-IN USE

You can use these headphones via line-in. Make sure your headphones are fully charged before line-in use.

- Plug one end of the included 3.5mm AUX cable into the headphones, and the other end into your device.

Frequently Asked Questions

Q: Why can't I turn the headphones on?
A: Make sure the headphones are fully charged before using them for the first time. Your headphones cannot be turned on when their battery level is very low. Refer to the charging section (under CHARGING THE HEADPHONES) of the User Guide for instructions.

Q: There is no sound during playback.
A: Check the connection between your device and the headphones. If a connection is not established, reconnect again and adjust the volume to a suitable level.

SPECIFICATIONS

Input	5V/0.2A
Battery	Rechargeable 300mAh lithium battery
Standby Time	Up to 60 hours
Charging Time	3 hours
Play Time	Up to 20 hours
Talk Time	Up to 20 hours
Bluetooth Version	V5.3
Size	7.2 x 7.7 x 3.2 in.

IMPORTANT SAFEGUARDS

- Do not listen to music at a high volume for long periods of time.
- Do not use these headphones for anything other than their intended use.
- Keep the headphones away from heat sources, direct sunlight, humidity, water, or any other liquid.
- Do not operate the headphones if they have been exposed to water or moisture to prevent against electric shocks, injuries to yourself or damage to the headphones.
- Do not use the headphones if they appear to be damaged in any way.
- Repairs to electrical equipment should only be performed by a qualified electrician. Improper repairs may place the user at serious risk.
- Keep the headphones out of the reach of children. These headphones are not a toy.

CUSTOMER SUPPORT

If you have any questions or need help using this product, please email us at support@tzumi.com or call 1-855-GO-TZUMI.



SoundPlay Wireless Headphones. Item No. 9063. Distributed by tzumi® Inc. NY, NY, 10016. ©Copyright 2023. All Rights Reserved. Made in China. The Bluetooth® word mark and logos are registered trademarks owned by Bluetooth SIG, Inc., and any use of such marks by tzumi Inc. is under license. All other trademarks and trade names are the property of their respective owners. Actual product may vary due to product enhancement. Subject to change without prior notice.

