

ALARM CLOCK WIRELESS CHARGING



tzumi user guide

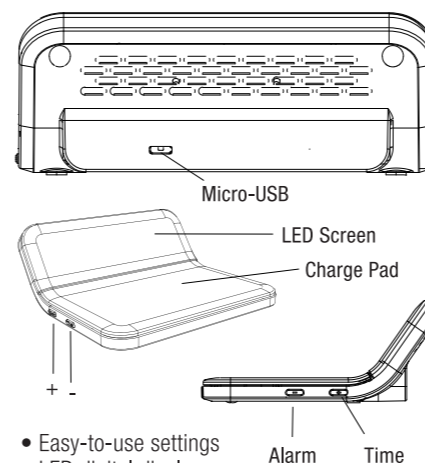
Wireless Charging Alarm Clock User Guide

This wireless charging alarm clock can charge your phone and wake you up right on time as well. It features a contemporary LED design, along with a wireless charging base that charges and powers your smartphones, AirPods, and other compatible devices through the night. The display brightness can be adjusted for the perfect glow via easy-to-use button controls.

Package Contents

Wireless Charging Alarm Clock
Micro-USB Cable
User Guide

Product Overview and Function



- Easy-to-use settings
- LED digital display
- Wirelessly charges smartphones and other compatible devices.

Getting Started

1. Powering the Unit

Plug in the Micro-USB cable into the charging port and the other end into a USB power source.

2. Setting the Clock

- Press and hold the time button for 3 seconds until the time flashes to enter the time setting mode.
- Press the time button again then press the “+” and “-” button to switch the time from 12-hour mode to the 24-hour mode.
- To enter the hour setting mode, press the time button again.
- Press the “+” or “-” button to adjust the hours.
- Press the time button again to enter the minutes setting mode.
- Press the “+” or “-” buttons to adjust the minutes.
- Press the time button again to confirm the time.

3. Adjusting the Display Brightness

Three brightness levels, press and hold the “-” button for 3 seconds to set the next brightness level. Maximum brightness is set as default at first use.

4. Setting the Alarm

- Press and hold the alarm button for 3 seconds until the alarm flashes to enter the alarm setting mode.
- Press the alarm button again then press the “+” or “-” button to adjust the hours.
- To enter the minutes setting mode, press the alarm button again.
- Press the “+” or “-” buttons to adjust the minutes.
- Press the alarm button again to confirm the alarm time.
- Press the alarm button twice to turn the alarm ON and OFF.

Wireless Charging

The charging pad supports wireless charging compatible phones, AirPods and other devices.

When charging a device, the charging indicator light will light up.

If there is a foreign object on the wireless charging pad the status light will blink repeatedly.

NOTE: When the alarm rings, press the alarm button to turn the alarm OFF or press any other button to snooze the alarm for 5 minutes.

Specifications

| | |
|------------|-------------------|
| Size: | 5.6 x 5 x 2.1 in. |
| Weight: | 5.7 oz. |
| Input: | 5V/2A |
| Materials: | ABS + PC |

Safeguards

Please note improper use of this unit can result in potential electric shock or fire hazard. Please read and follow the safety instructions carefully before installation and use.

This unit should not be used near water, for example near a bathtub, kitchen sink, laundry tub or wet basement. It poses serious risk of electric shock.

The unit should be kept away from heat sources such as radiators, heat registers or other appliances that emit heat. The unit should only be connected to a power supply described in the operating instructions. The unit should be serviced by a qualified service personnel if it is damaged or does not operate normally. Do not attempt to fix it on your own.

To reduce the risk of electric shock do not expose this product to rain or moisture.

If you have any questions about using this product we are here to help! Call or email us and an experienced customer support representative will be happy to assist you: **1-855-GO-TZUMI** or **support@tzumi.com**.

life just got better.
tzumi®

Wireless Charging Alarm Clock Item No. 7454. Distributed by tzumi Inc. NY, NY, 10016. ©Copyright 2022 tzumi Inc. All Rights Reserved. Made in China. iPhone is a trademark of Apple Inc., registered in the U.S. and other countries. All other trademarks and trade names are the property of their respective owners. All pictures shown are for illustration purpose only. Actual product may vary due to product enhancement. Subject to change without prior notice.